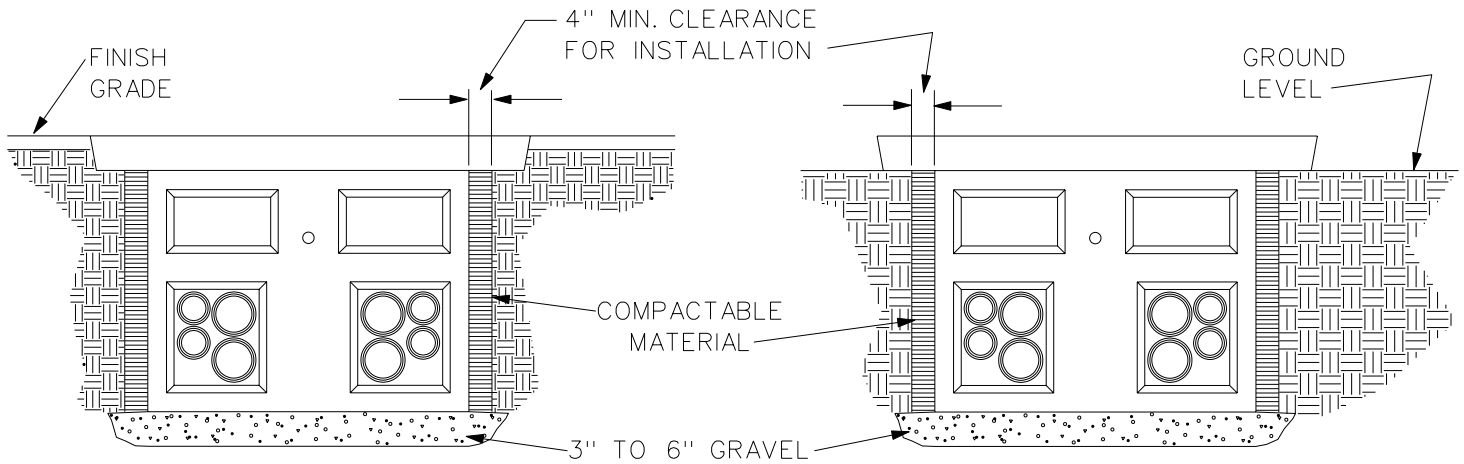


TYPICAL INSTALLATION ALONG ROADWAY, SIDEWALKS, PARKING AREAS & OTHER GRADED AREAS

INSTALLATION FOR AREAS THAT ARE NOT GRADED



NOTES:

EXCAVATION AND BEDDING: EXCAVATE TO ALLOW FOR OVERALL ASSEMBLED HEIGHT OF THE VAULT, PLUS ADDED HEIGHT OF RISERS AND BEDDING MATERIALS. GRADE BEDDING MATERIAL LEVEL. BEDDING MATERIAL SHOULD BE 3" TO 6" OF 3/4" MINUS GRAVEL.

BACKFILLING: BACKFILL AROUND ALL VAULTS SHOULD CONSIST OF GOOD COMPACTABLE MATERIAL SUCH AS PEA GRAVEL, SAND OR CLEAN EARTH FILL. COMPACT, LEAVING NO VOIDS BETWEEN THE VAULT WALLS AND NATIVE SOIL OF EXCAVATION. BACKFILL ONLY AFTER VAULT IS COMPLETELY ASSEMBLED, MAKING CERTAIN TO COMPACT THE BACKFILL PROGRESSIVELY IN 6" LIFTS FROM THE BOTTOM TO THE TOP SURFACE.

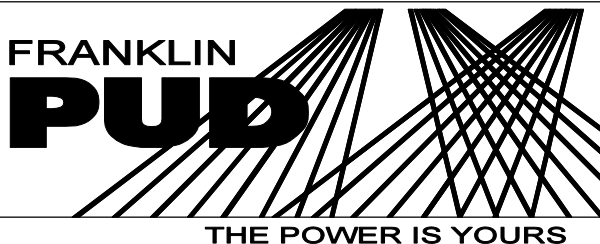
GROUTING: WE RECOMMEND A CEMENT GROUT CONSISTING OF TWO PARTS SAND AND ONE PART CEMENT AND SUFFICIENT WATER TO FORM A PLASTIC SLURRY. APPLY GROUT TO FILL ALL VOIDS IN THE JOINT BEING SEALED. ALL DUCT ENTRY HOLES ARE TO BE GROUTED AFTER DUCT INSTALLATION.

KNOCKOUTS: FROM INSIDE THE VAULT, REMOVE THE KNOCKOUT BY STRIKING ITS CENTER WITH A HAMMER. THIS METHOD ALLOWS FOR EASY REMOVAL WITHOUT EXCESS CHIPPING OR DAMAGE TO THE VAULT. COMPLETELY REMOVE CENTER KNOCKOUT IN BOTTOM OF VAULT PRIOR TO INSTALLATION TO ALLOW VAULT TO DRAIN.

PAVING AROUND VAULT: PRIOR TO PAVING OR POURING SIDEWALKS AROUND THE VAULT, AND BEFORE INSTALLATION OF THE PUD'S TRANSFORMERS, CALL OUR ENGINEERING DEPARTMENT SO WE MAY HAVE GROUNDING CONDUCTORS INSTALLED.

CONDUIT INSTALLATION: TO INSURE PROPER SEPARATION BETWEEN HIGH VOLTAGE AND LOW VOLTAGE CONDUCTORS, REVIEW CONDUIT INSTALLATION WITH OUR ENGINEER BEFORE EXTENDING CONDUITS INTO THE VAULT.

243_1.DGN



VAULT INSTALLATION GUIDELINES

DWN.	DATE:	DWG. NO.
DBO/SKH	1-13-97	
APP.		243.1