

TEMPORARY SERVICE REQUIREMENTS

Below is a “check-list” summarizing the general requirements for temporary service.

- Advise us of your service requirements before installing service equipment or trenching, so we may determine the availability, location and conditions for the service. Review the location of service and other associated information with a representative of Engineering. Please do this early to avoid delays in connecting your service.
- Install your temporary service post and all associated equipment in the agreed upon location. Refer to specific requirements listed below and shown on the attached drawing.
- Call the State Electrical Inspector for inspection and approval of your temporary service equipment.
- Pay necessary fees.
- Temporary service will be connected 5 to 7 business days.
- When service is no longer required, please contact Engineering to request service disconnection, or the service will be disconnected when the permanent service is connected.
- This service may be extended for an additional three months for \$100.00.

- **GENERAL SPECIFICATIONS APPLYING TO OVERHEAD AND UNDERGROUND TEMPORARY SERVICES**
- If a meter is not required, install a U.L. listed temporary meter jumper cover prior to inspection by the State Electrical Inspector. Where a meter is required, the meter needs to be a minimum of 4 feet above grade.
- Your temporary service pole may be of 4”x 4” solid lumber or two 2”x 4” lumbers laminated together, (4”x 4” overall is the minimum acceptable.)
- Braces should be a minimum of 2” x 4” lumber with stakes solidly driven into the ground and firmly attached to the braces. Special care should be taken when installing these braces; please be sure they don’t block access to the door of the transformer.

TEMPORARY SERVICE SPECIFICATIONS FOR UNDERGROUND SOURCE

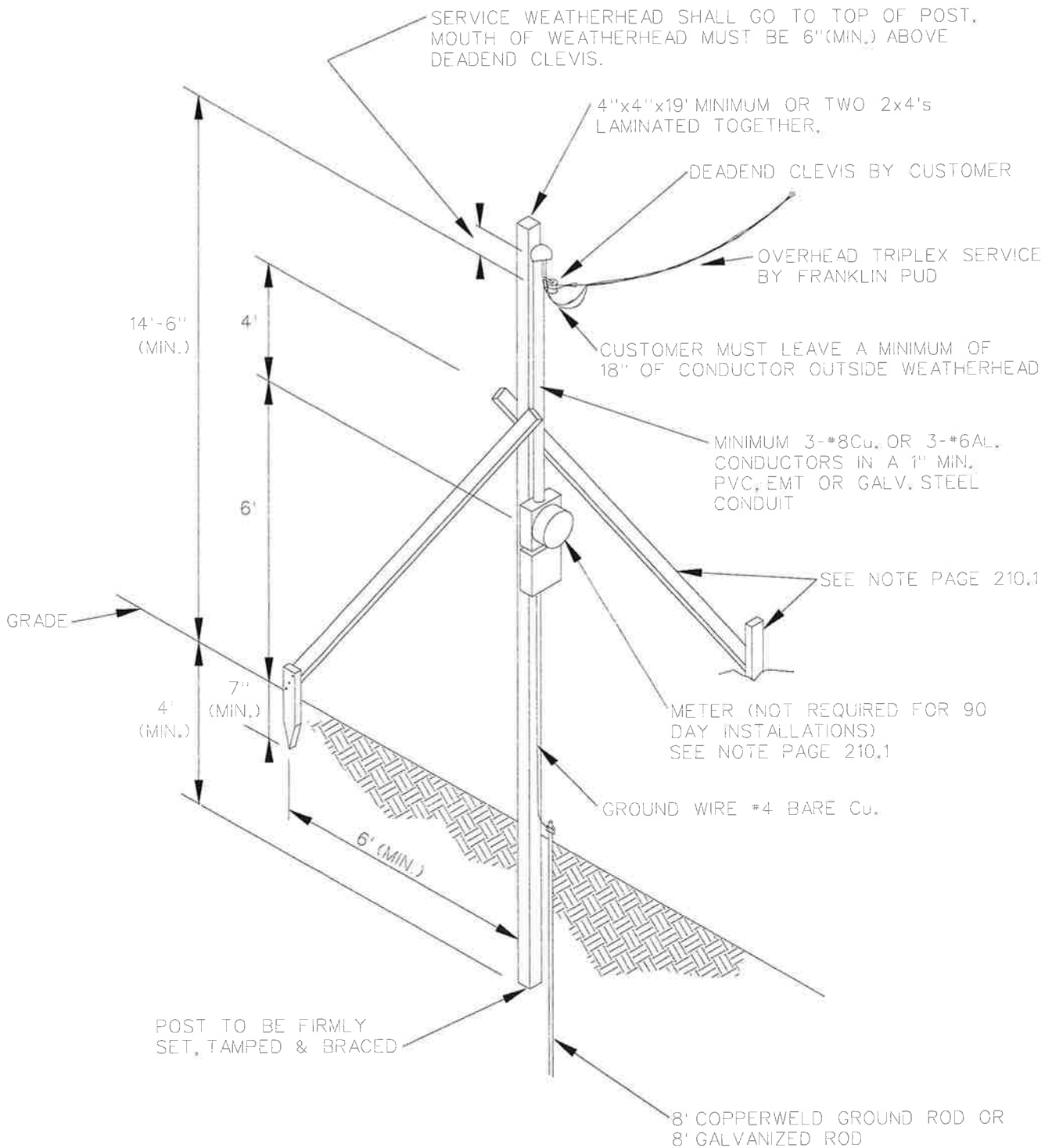
- After reviewing details of your temporary service with an Engineer, provide all trench and backfill to within 3 feet of PUD transformer. PUD will trench and backfill the last 3 feet when service is connected.

- Provide and install your underground service conductors in Schedule 40 PVC conduit, complete with connectors, weatherhead and fasteners. Your insulated conductors need to be minimum #8 copper or #6 aluminum. The conduit should extend a minimum of 18" below ground line.

- Provide sufficient insulated conductor to reach the transformer plus an additional 6 feet for making connections. PUD will route your wire into the transformer box and make the connections.
PUD will not splice customer conductors. If your conductor is too short to be connected in the transformer, it needs to be replaced with longer conductor before our crew will connect it.

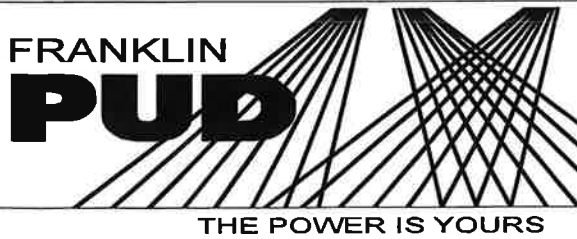
SERVICE SPECIFICATIONS FOR OVERHEAD SOURCE

- PUD will provide and install the overhead service drop; you will need to provide and install the service post and all materials.
- The service post should be located a minimum of 10 feet, and no further than 50 feet, from our nearest distribution pole. Service length requirements that exceed 50 feet must have prior approval of Engineering. Contact us before installing your service equipment.
- Service drop clearance requirements are as follows: 16 feet minimum over private ground, including driveways, 18 feet over streets and alleys, and 24 feet over state highways.



NOTE: INSTALL TEMPORARY SERVICE POLE AT LEAST 10FT., BUT NO MORE THAN 50FT., FROM THE PUD'S DISTRIBUTION POLE.

211_1.DGN



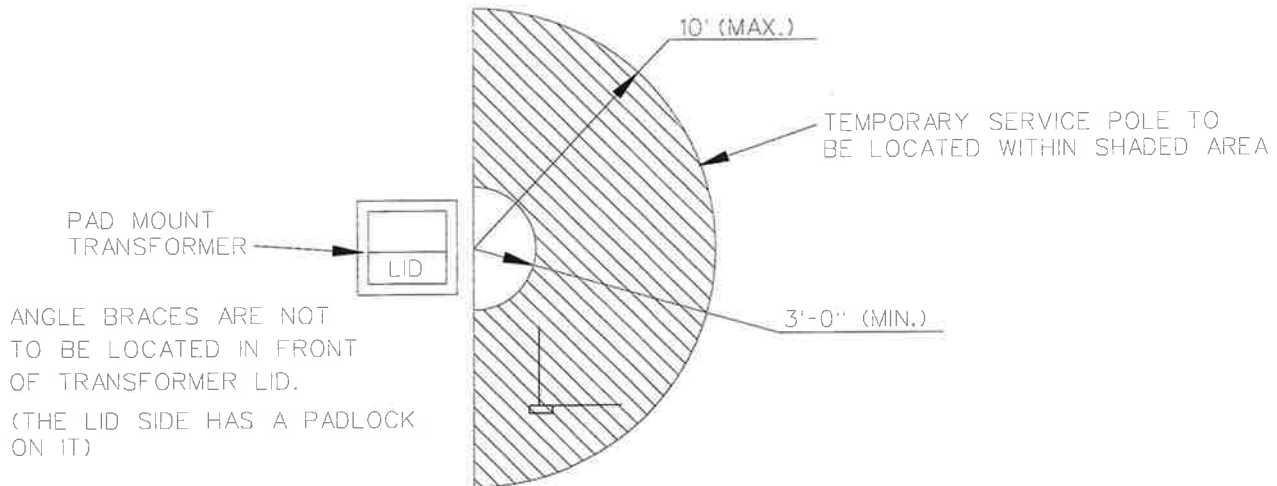
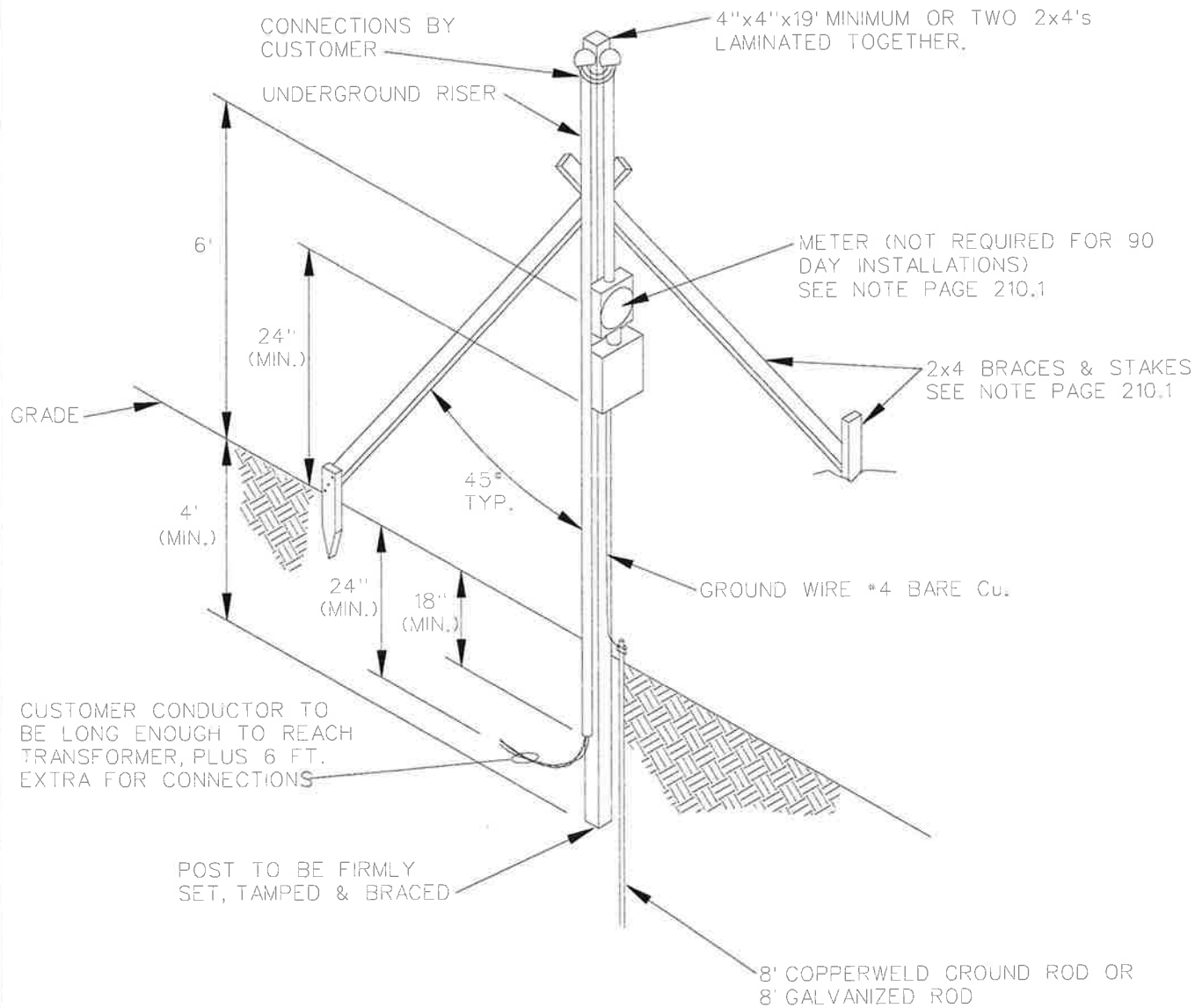
TEMPORARY SERVICE REQUIREMENTS FOR OVERHEAD SOURCE

DWN.
B. WYATT
APP.
M. HAY

DATE:
3-31-03

DWG. NO.

211.1



212_1.DGN



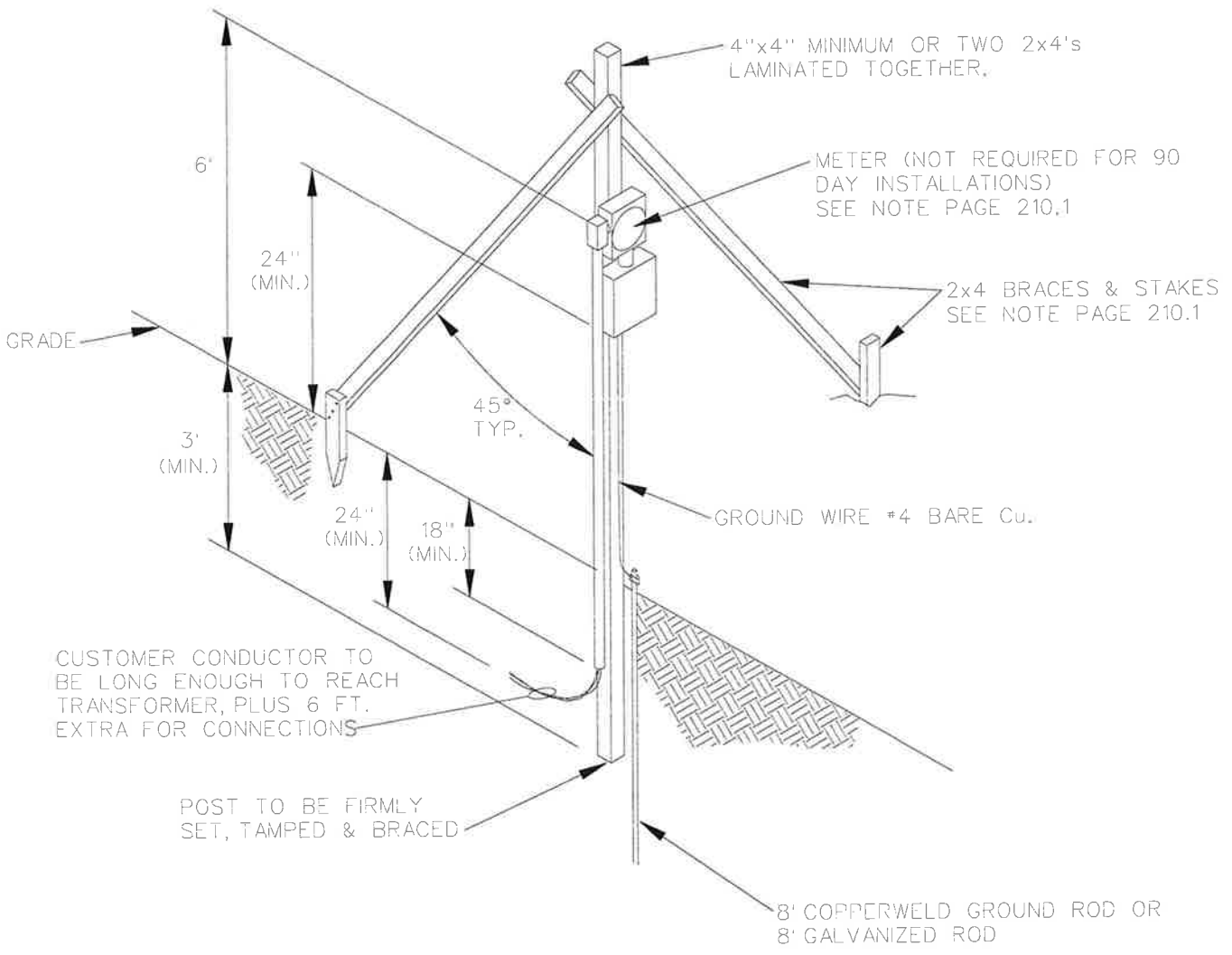
TEMPORARY SERVICE REQUIREMENTS FOR UNDERGROUND SOURCE

DWN.
B. WYATT
APP.
M. HAY

DATE:
4-9-03

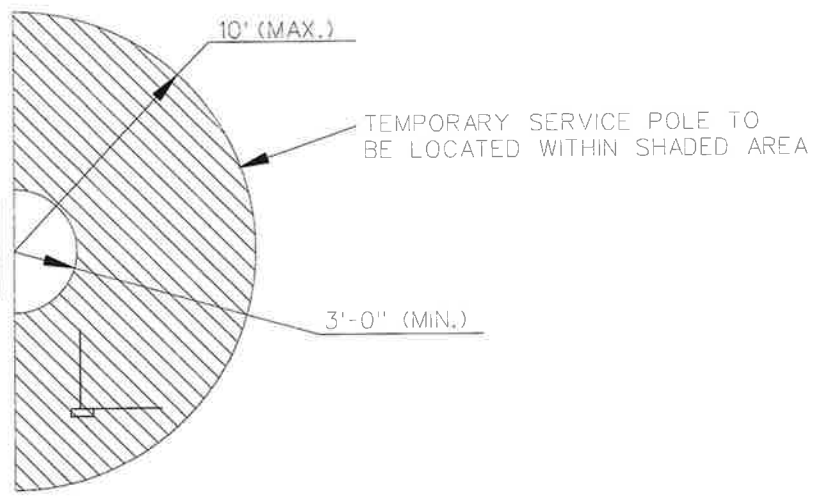
DWG. NO.

212.1



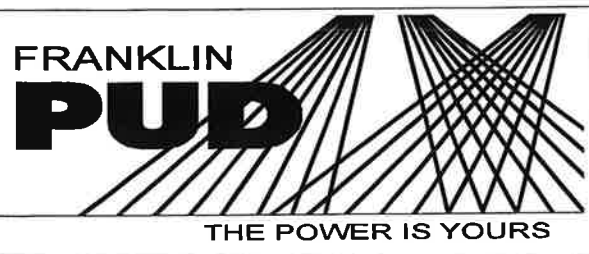
CUSTOMER CONDUCTOR TO BE LONG ENOUGH TO REACH TRANSFORMER, PLUS 6 FT. EXTRA FOR CONNECTIONS

POST TO BE FIRMLY SET, TAMPED & BRACED



ANGLE BRACES ARE NOT TO BE LOCATED IN FRONT OF TRANSFORMER LID. (THE LID SIDE HAS A PADLOCK ON IT)

213_1.DGN



TEMPORARY SERVICE REQUIREMENTS FOR UNDERGROUND SOURCE

DWN. D. OBERLANDER APP.	DATE: 1-13-97	DWG. NO. 213.1
-------------------------------	------------------	------------------------------