

4 - Temporary Service Requirements

General Requirements - Connecting a Temporary Service

- Complete a residential or commercial application for service with attached site plan. We can then determine availability, location, and conditions for the service.
- Double check the service location with a Field Engineer early to avoid delays in connecting your service.
- Install your temporary service post, and associated equipment, in the agreed upon location. Refer to specific requirements listed below and as shown on the attached drawing.
- Call the Washington State Electrical Inspector at 509-735-0100 for inspection and approval of your temporary service equipment.
- Pay the required FPUD fees.
- Temporary service will be connected within 5 to 7 business days.
- The temporary service will be disconnected when the permanent service is connected, unless you call Engineering to make other arrangements.

General Specifications – Overhead & Underground

- If a meter is not required, install a U.L. listed temporary meter jumper cover prior to inspection by the State Electrical Inspector.
- If a meter is required, it must be a minimum of 4' 6" feet and a maximum of 5' 6" to the center of the meter above grade, unless it is a factory built meter pedestal.
- The temporary service pole may be made of 4"x 4" solid lumber or two (2) 2"x 4" lumbers laminated together. *(4"x 4" overall is the minimum acceptable)*
- The braces should be a minimum of 2" x 4" lumber. Drive stakes solidly into the ground, and firmly attach the braces. Take special care when installing these braces. Please make sure they do not block access to the transformer door.

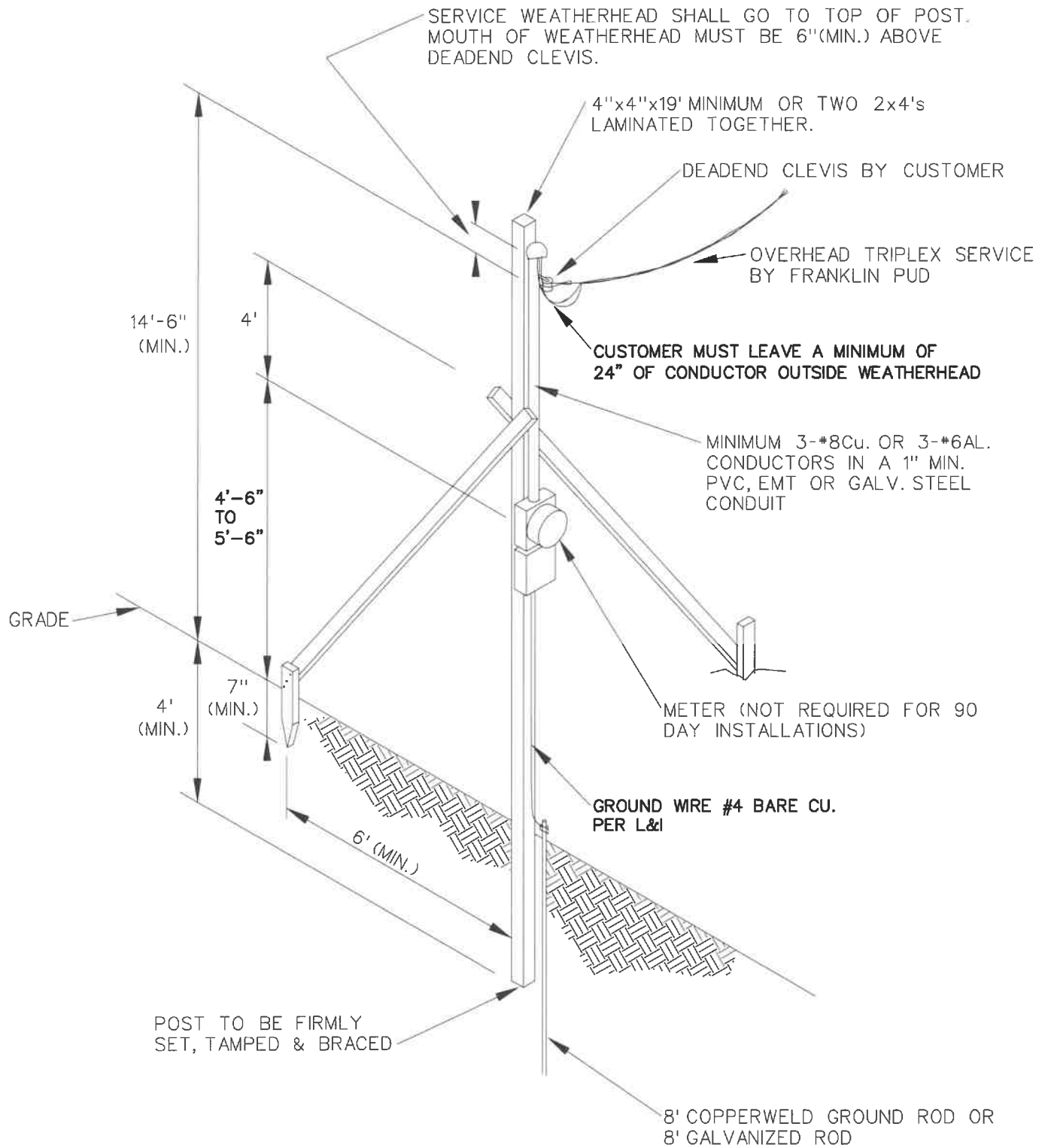
Temporary - Underground Source

- After reviewing details of your temporary service with a Field Engineer, provide trench and backfill to within three feet of transformer. FPUD will trench and backfill the last three feet when the service is connected.
- Provide enough insulated conductor to reach the transformer, plus an additional six feet for making connections. FPUD will route your wire into the transformer box and make the connections.

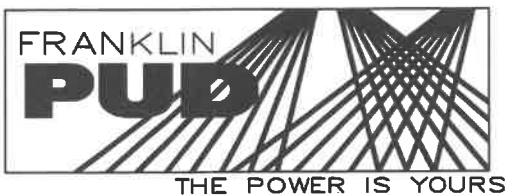
***FPUD crew will not splice customer conductor.
If the conductor is too short to connect in the transformer,
you will need to replace it with longer conductor
before our crew will connect it.***

Service Specifications - Overhead Source

- Customer will provide and install the service post and all materials.
- FPUD provides and installs the overhead service drop.
- The service post must be located a minimum of ten feet, and no further than 50 feet, from our nearest distribution transformer pole. Service length requirements that exceed 50 feet must have prior Engineering approval. Contact us before installing your service equipment.
- Service drop clearance requirements:
 - 16 feet minimum over private ground, including driveways
 - 18 feet over streets and alleys
 - 24 feet over state highways



211.1.DWG



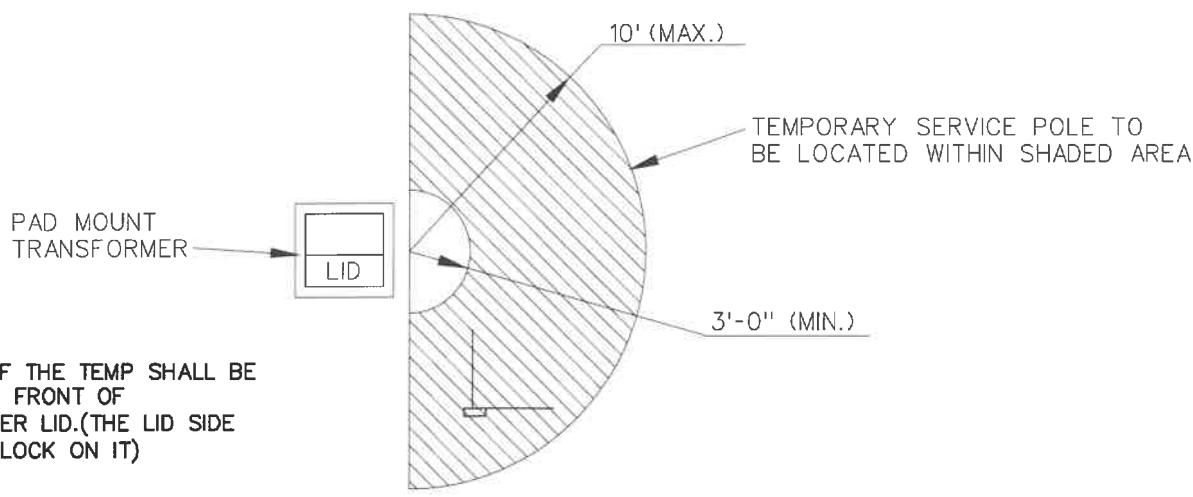
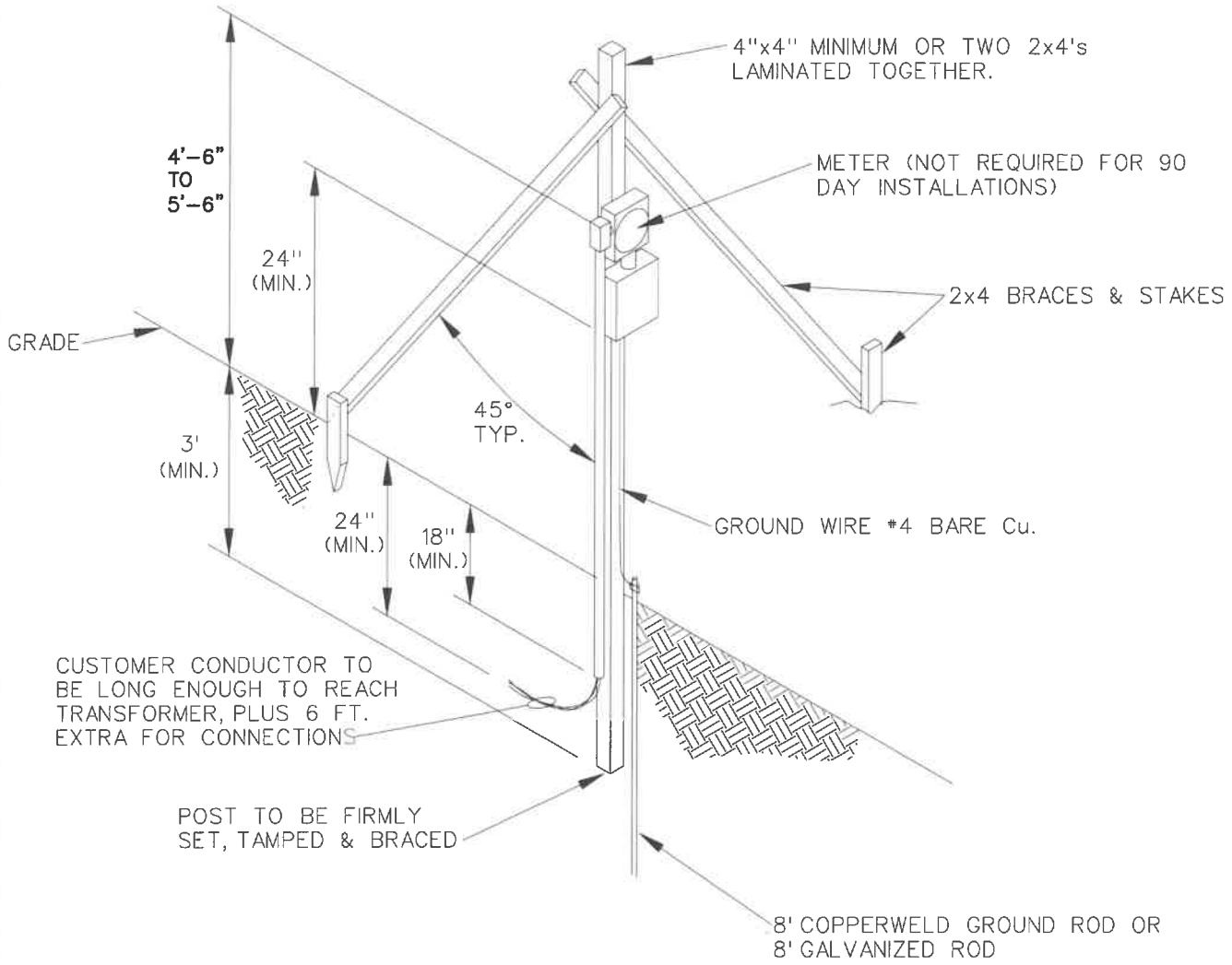
**TEMPORARY SERVICE REQUIREMENTS
FOR OVERHEAD SOURCE**

DWN.
WR
APP. D. SAMS

DATE: 3/31/03
UPDATED: 11/21/2019

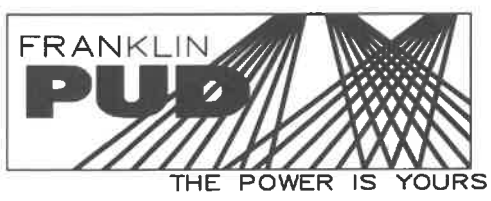
DWG. NO.

211.1



NO PART OF THE TEMP SHALL BE LOCATED IN FRONT OF TRANSFORMER LID.(THE LID SIDE HAS A PADLOCK ON IT)

213.1.DWG



**TEMPORARY SERVICE REQUIREMENTS
FOR UNDERGROUND SOURCE**

DWN. WR APP. D. SAMS	DATE: 1/13/97 UPDATED: 11/21/2019	DWG. NO. 213.1
----------------------------	--------------------------------------	-----------------------